

4

3

2

1

D

D

C

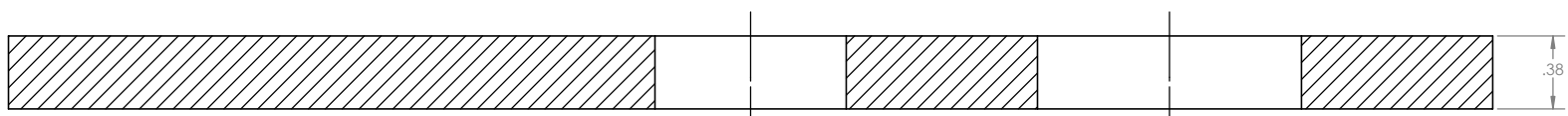
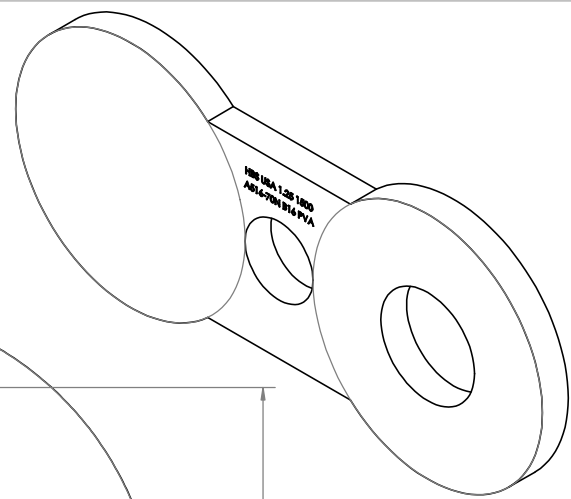
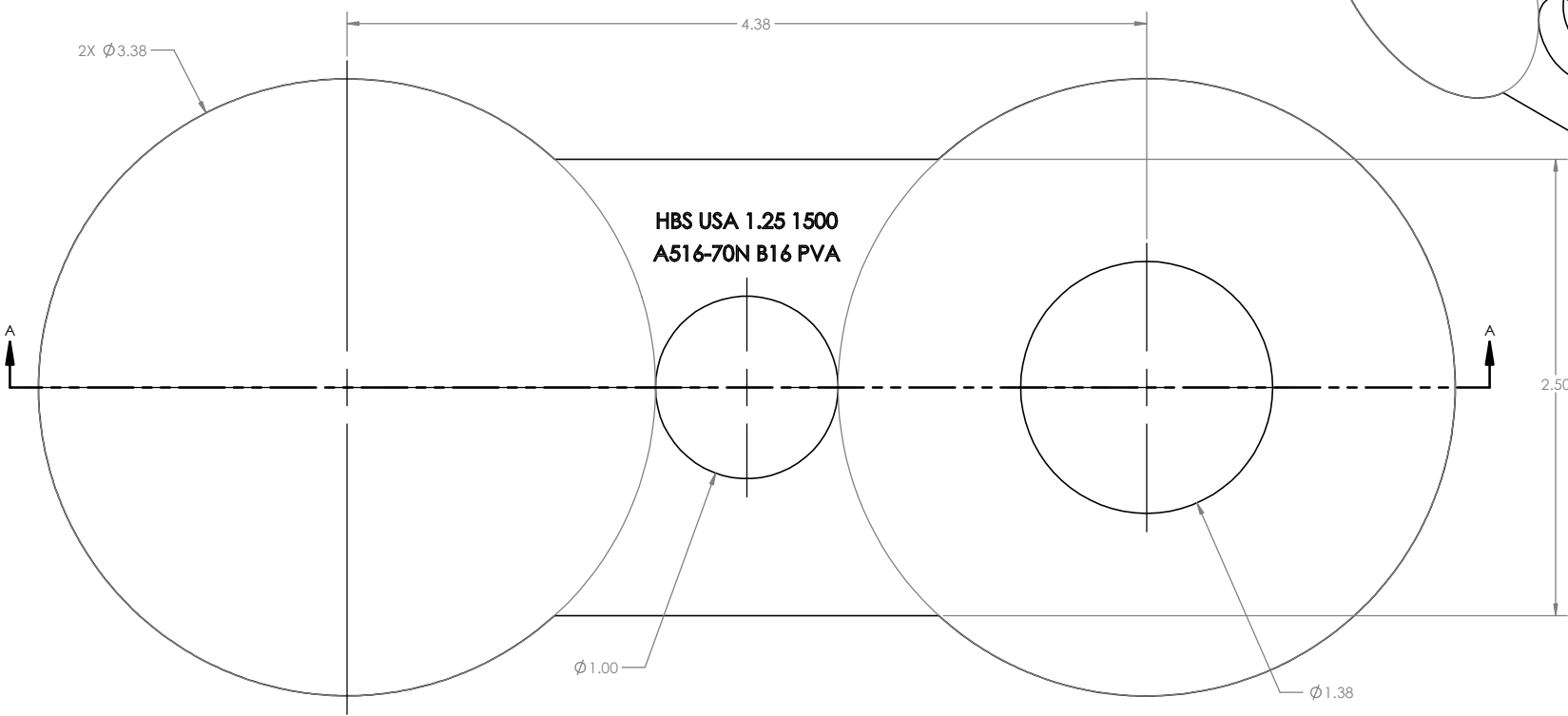
C

B

B

A

A



SECTION A-A

DO NOT SCALE PRINT		UNLESS OTHERWISE SPECIFIED: OUTSIDE DIAMETER: (+/-0.12) INSIDE DIAMETER: (+/-0.12) THICKNESS TOLERANCES (-ZERO +0.12) ALL UNITS IN INCHES OR POUNDS		
		SHEET 1 OF 1		
MATERIAL: CUSTOMER REQUESTED		DATE: 07/06/2020		DRAWING TITLE: 1-1/4 CL 1500 BLIND T HANDLE
SCALE 2:1		DIMENSIONS & TOLERANCES TO BE IN ACCORDANCE WITH ASME B16.48		
SIZE C		DRAWING NUMBER: FSBI		REV 00

4

3

2

1